

Eugene Home Show - Exhibit Design & Height Restrictions

Questions? ph 541-484-9247



Nothing taller than 8' along the rear 4' of the booth.

Displays & signs cannot be taller than the 8' drape height along the back of the booth (unless approved by show management). Exhibits along the hardwalls along the perimeter are allowed a 10' backwall.

No items taller than 4' in the front 6' of the booth.

Fixtures, signs and displays should not exceed 4' in height in the front 6' of your exhibit, unless they are at least 10' from neighboring exhibits. Any portion of the exhibit bordering another booth must have the backside of that portion finished (not showing graphics, studs, nails, or signage). Exhibits larger than 20x20 will have a backwall as discussed with the show management at booking.

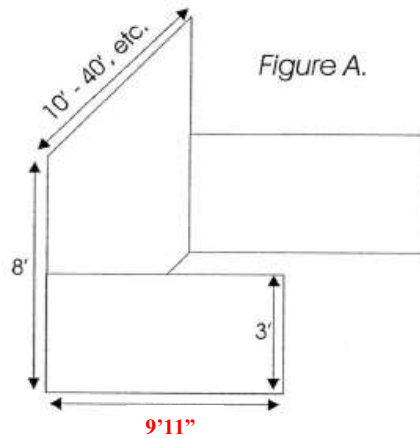
Hardwall Construction – Call Before You Build!

Remember that your hardwalls must fit within the drapery poles which are on center –please construct hardwalls at 9'10" to fit between the 10' wide drapery poles. Build sidewalls to 9'11" to fit space.

Vendors with high drapes along the side can run 8' tall along the high drapes to the aisle – confirm that you will have 8' high drapes along the side of your booth prior to designing your booth.

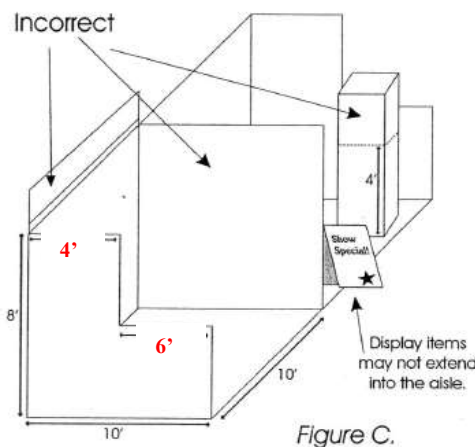
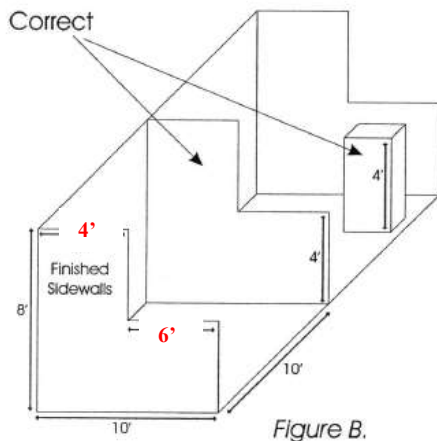
Exhibit display fixtures, signs, banners, etc. may not extend into any part of the aisle, no matter the height.

Deduct 2" when constructing exhibit backwall regardless of the exhibit size (except endcaps). This 2" deduction allows exhibits to fit between the pipe & drape.



The Good Neighbor Policy:

Each exhibitor is entitled to a reasonable sight-line from the aisle, regardless of the size of the exhibit. Please be aware of your neighbors and do not design an exhibit that blocks them in.



Items over 4' tall must be placed in the rear 4' of the exhibit unless you booked a space with high sides.

Please call us with questions for exhibit design advice prior to planning your exhibit. We are here to assist exhibitors year round. Phone: 541-484-9247